

UConnect M-Bus Master to Modbus

RS485 / TCP-IP

OVERVIEW

M-Bus Master to Modbus Converter is dedicated to convert M-Bus signal to Modbus RS485/TCP-IP . Up to 250 M-Bus devices can be connected to this device

FEATURES

- ◆ MAX number of M-Bus devices: 250
- ◆ RS485 transmission direction: automatic
- ◆ M-Bus short connection protection: yes
- ◆ Modbus TCP IP conversion: Automatic
- ◆ Mounting type: on DIN rail



Description	M-Bus Master to /Modbus (M-Bus - RS485/TCP-IP)
Configuration	Web configuration for Modbus parameters
RS485	automatic choose of direction, max 32 transceivers, speed up to 9600 bauds
TCP/IP	IP/Port programmable
M-Bus	up to 250 devices
General	
Power supply	24v DC 2.5amps
Over-voltage protection	Yes
Power consumption	Optimized
M-Bus line power	36-40V
Adjustment to M-Bus loads	Automatic
M-Bus short circuit event current	≥500mA
M-Bus short circuit reaction time	Configurable, 1-4s.
Recover after short connection	Configurable, 10-60s.
Physical characteristics	
Dimensions	75x100x100 mm
Weight	350 g
Mounting type	on DIN rail
Protection type	IP20
Climate conditions	
Operating temperature	-20 to +50°C
Storage temperature	-50 to +70°C
Humidity range	5 – 95%, non-condensing
LED Indication	
PWR/ALM	Power ON / Overload or Offline
RXD	M-Bus data transfer
TXD	M-Bus data receive
Other Features	
Warranty	2 Years

ConnectME Technology Solutions FZE
5-23, ACICO Business Park
Al Khabaisi, Deira, Dubai.

WEB : www.connectme.biz

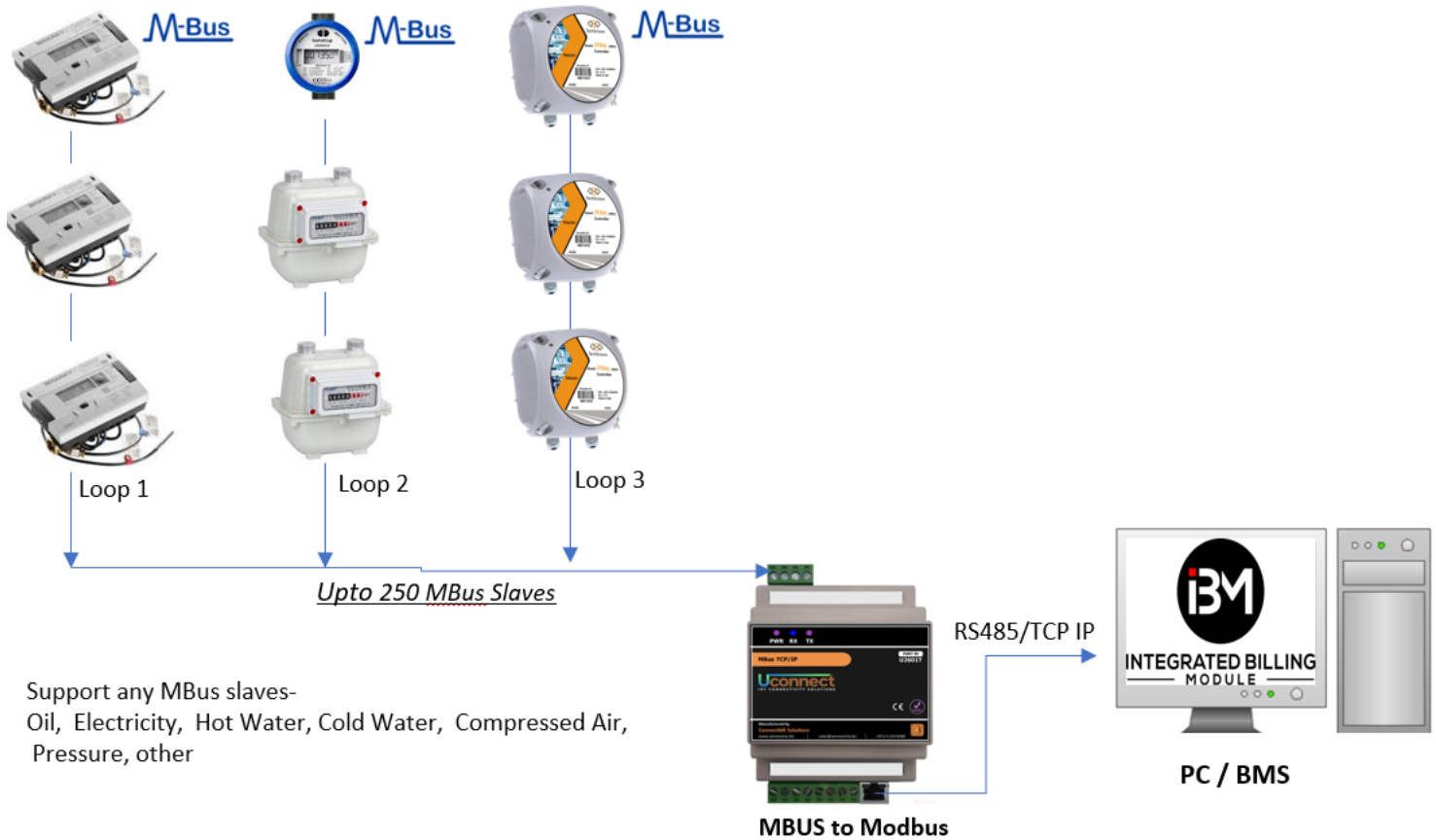
PHONE : +971 4 234 8480

E-MAIL: info@connectme.biz

UConnect M-Bus Master to Modbus



RS485 / TCP-IP



Support any MBus slaves-
Oil, Electricity, Hot Water, Cold Water, Compressed Air,
Pressure, other

Order Code

U2403-S125
U2403-S250

Details

Support 125 MBus slaves
Support 250 MBus slaves

Technical Data

External Power supply	DC+24V/1A
Load capacity	1.5mA x Number of Slaves
Consumption single slave:	1.5 mA
M-Bus line Voltage	34-40V
Adjustment to M-Bus loads	Automatic
Transmission speed M-Bus	1200 ~ 9600bps
Power loss Control	Automatic MBus line power-off function can be set to minimize power loss
Short-circuit Protection	Short-circuit, over-current protection and warning LED indicator

ConnectME Technology Solutions FZE
5-23, ACICO Business Park
Al Khabaisi, Deira, Dubai.

WEB : www.connectme.biz

PHONE : +971 4 234 8480

E-MAIL: info@connectme.biz